

FLUSH PULL

INSTALL MANUAL & USERS GUIDE



TABLE OF CONTENTS

01 Technical Dimension

02 Removal of Existing Latch

03 Install New Latch

04 Contact Us

WELCOME TO THE FAMILY!



Thanks for purchasing our LATCH.IT Flush Pull Latch! We are a family owned American business that cares about your safety and security!



Please review, read and understand ALL instructions to ensure proper functionality.

If you have any questions or concerns, don't hesitate to reach out to us, we are always available at info@latchit.org



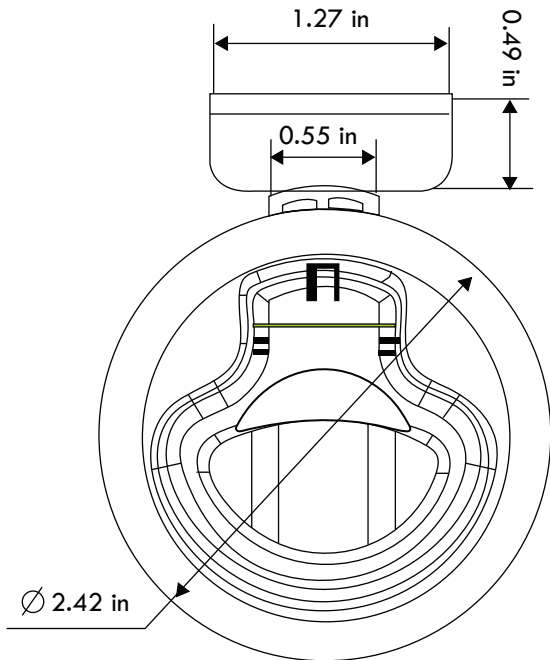
**TRAVEL WITH THE
PEACE-OF-MIND
YOU DESERVE!**

www.latchit.org

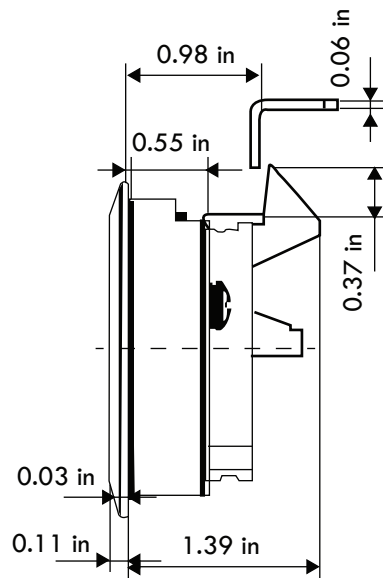
01

TECHNICAL DIMENSION

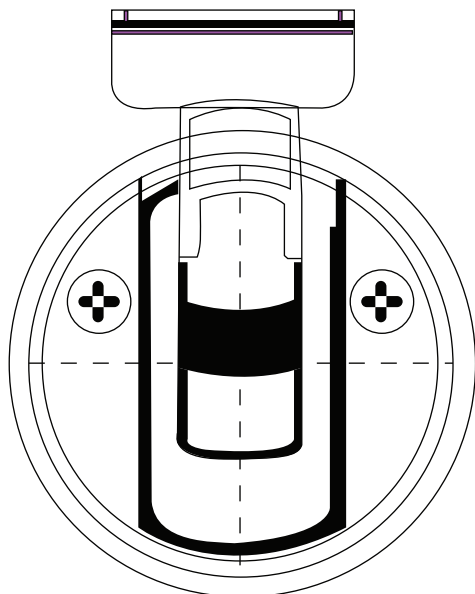
FRONT VIEW



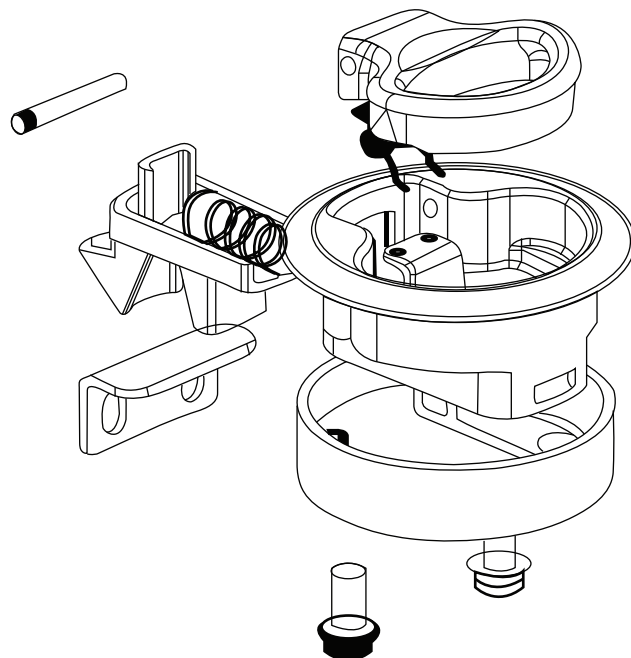
SIDE VIEW



REAR VIEW



EXPLODED VIEW OF ALL COMPONENTS



02

REMOVAL OF EXISTING LATCH

1. On the interior side of your OEM Flush Pull Latch, unscrew all fasteners. Should be 2 screws holding it in place.
2. Remove interior back-plate and flush pull latch away from door.
3. Clean the lock hole to ensure no debris or paint are in the way of the new slam latch install.
4. Ensure latch hole diameter is within the fitment requirement (2.00”).

03

INSTALL NEW LATCH

1. Separate the front half assembly and interior backplate.
2. Install the front half assembly into the latch hole.
3. On the interior of the door, attach the interior backplate and hand tighten the 2 screws to hold it in place.
4. Using a screwdriver, tighten both fasteners to firmly secure the front assembly and back plate together.
5. If replacing the metal bracket on your door frame, use provided hardware. Ensure it fits tightly so there is no door rattle/play when closed.
6. Test out your door to ensure it open/closes smoothly and that it fully engages with the bracket.
7. Loosening fasteners and re-adjusting the bracket may be required to allow smooth operation.

04

CONTACT US

Scan with your smart phone camera to contact
LATCH.IT Support via the Official Website

www.latchit.org



Email us at info@latchit.org with any questions
or concerns, our support team is always available!

